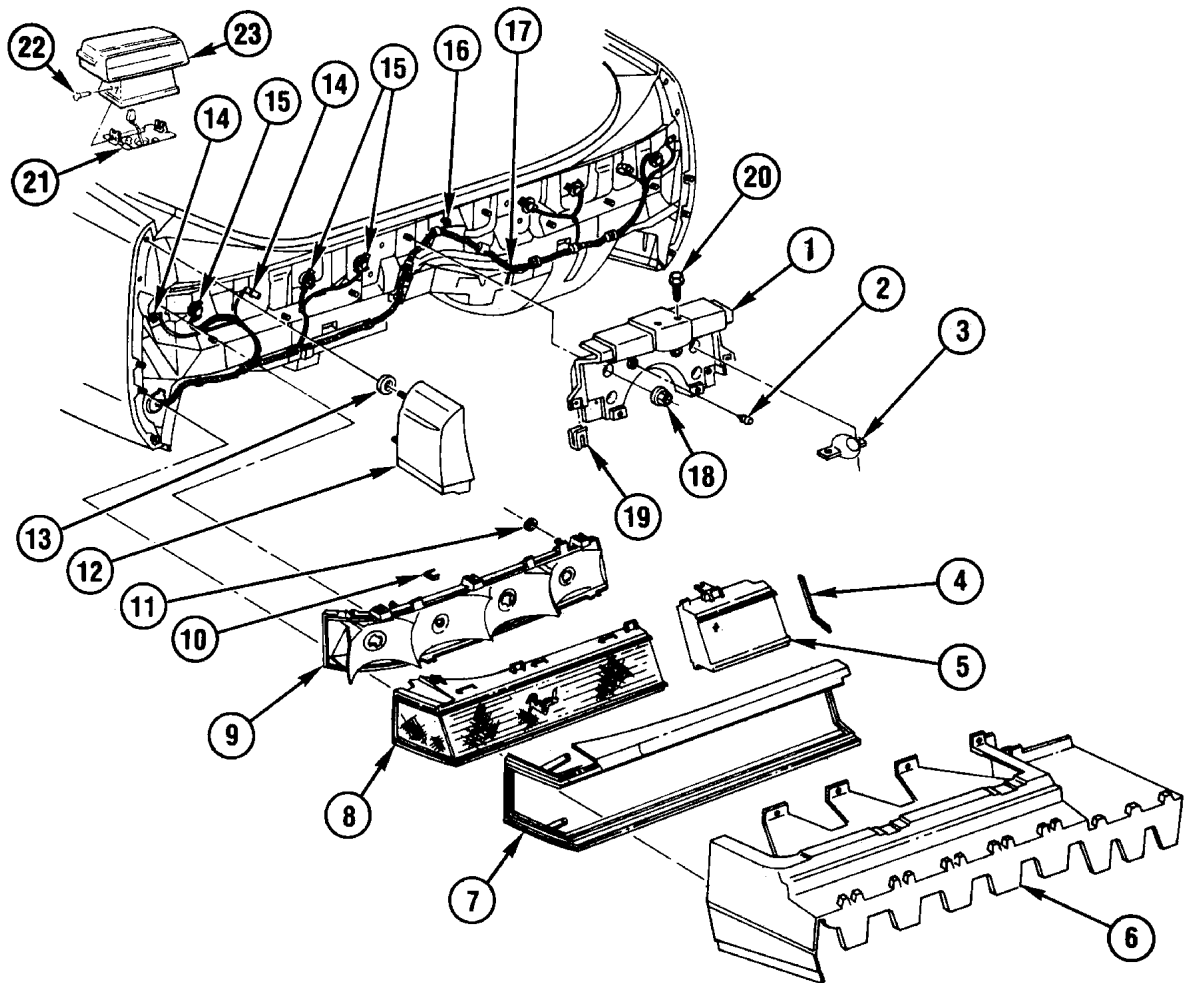


1984-87 G47 LAMPS/REAR



## 1984-87 G47 LAMPS/REAR

1.	7.800	<b>POCKET , LIC PLT</b> .....	<b>20453289</b>
2.	12.945	<b>BUMPER , LIC PLT SUPT</b> .....	<b>4880572</b>
3.	2.700	<b>LAMP , LIC PLT</b> .....	<b>912390</b>
4.	2.660	<b>CLOSEOUT FILLER , RR COMB &amp; SI MKR LP CLOSEOUT-RH</b> .....	<b>5972944</b>
	2.660	<b>CLOSEOUT FILLER , RR COMB &amp; SI MKR LP CLOSEOUT-LH</b> .....	<b>5972943</b>
5.	2.697	<b>LENS , B/U LP-RH</b> .....	<b>16501880</b>
	2.697	<b>LENS , B/U LP-LH</b> .....	<b>16501879</b>
6.	7.833	<b>FILLER , R/END PNL TO BPR-RH(*1)</b> .....	<b>20428396</b>
	7.833	<b>FILLER , R/END PNL TO BPR-LH(*1)</b> .....	<b>20428397</b>
7.	2.681	<b>BEZEL , RR COMB &amp; SI MKR LP-RH (W/T93)(BLA)</b> .....	<b>16502782</b>
	2.681	<b>BEZEL , RR COMB &amp; SI MKR LP-LH (W/T93)(BLA)</b> .....	<b>16502781</b>
	2.681	<b>BEZEL , RR COMB &amp; SI MKR LP-RH (EXC T93)(CHROME)</b> .....	<b>16501882</b>
	2.681	<b>BEZEL , RR COMB &amp; SI MKR LP-RH (EXC T93)(CHROME)</b> .....	<b>16501881</b>
8.	2.682	<b>LENS , RR COMB LP-RH</b> .....	<b>16501874</b>
	2.682	<b>LENS , RR COMB LP-LH</b> .....	<b>16501873</b>
9.	2.680	<b>HOUSING , RR COMB &amp; SI MKR LP-RH</b> .....	<b>16501918</b>
	2.680	<b>HOUSING , RR COMB &amp; SI MKR LP-LH</b> .....	<b>16501917</b>
10.	2.688	<b>CLIP , RR COMB LP RET SPR</b> .....	<b>5949351</b>
11.	2.660	<b>GASKET , RR COMB LP MT</b> .....	<b>5967657</b>
12.	12.940	<b>EXTENSION KIT , R/QTR-RH</b> .....	<b>20499469</b>
	12.940	<b>EXTENSION KIT , R/QTR-LH</b> .....	<b>20499470</b>
13.	8.921	<b>NUT , FACETED FLG W/SLR (M6X1) ZOR</b> .....	<b>11505865</b>
14.	2.575	<b>SOCKET , W/CABLE SI MKR LP (ALSO PART OF #17)</b> .....	<b>8912750</b>
	2.694	<b>SOCKET , W/CABLE TAIL LP (ALSO PART OF #17)</b> .....	<b>8912750</b>
15.	2.694	<b>SOCKET , W/CABLE T/SIG, TAIL, STOP (ALSO PART OF #17)</b> .....	<b>12003759</b>
	2.697	<b>SOCKET , W/CABLE B/U LP (ALSO PART OF #17)</b> .....	<b>12003758</b>
16.	2.714	<b>SOCKET , W/CABLE LIC PLT LP (ALSO PART OF #17)</b> .....	<b>12001470</b>
17.	13.090	<b>HARNESS , BODY RR</b> .....	<b>20208719</b>
	13.090	<b>HARNESS , BODY RR (1986-87)</b> .....	<b>20594450</b>
18.	8.921	<b>NUT , STAMPED (M6X1)</b> .....	<b>9421330</b>
19.	8.921	<b>NUT , U-SHAPE (M4.2-1.41 X .065) ZOR</b> .....	<b>52351724</b>
20.	8.977	<b>SCREW , OV HD C/R (M4.2-1.41 X 20)</b> .....	<b>11503537</b>
21.	2.662	<b>SUPPORT , LP HI MT STOP (1986-87)</b> .....	<b>20696217</b>
22.	8.977	<b>SCREW , (M4.2-1.41 X 20)</b> .....	<b>20547501</b>
23.	2.679	<b>LAMP , HIGH MTD STOP(1986-87)</b> .....	<b>5974464</b>
	8.991	<b>BULB , BACK-UP LAMP (#1156-32CP)</b> .....	<b>9417866</b>

NOTE 1: PAINT TO MATCH