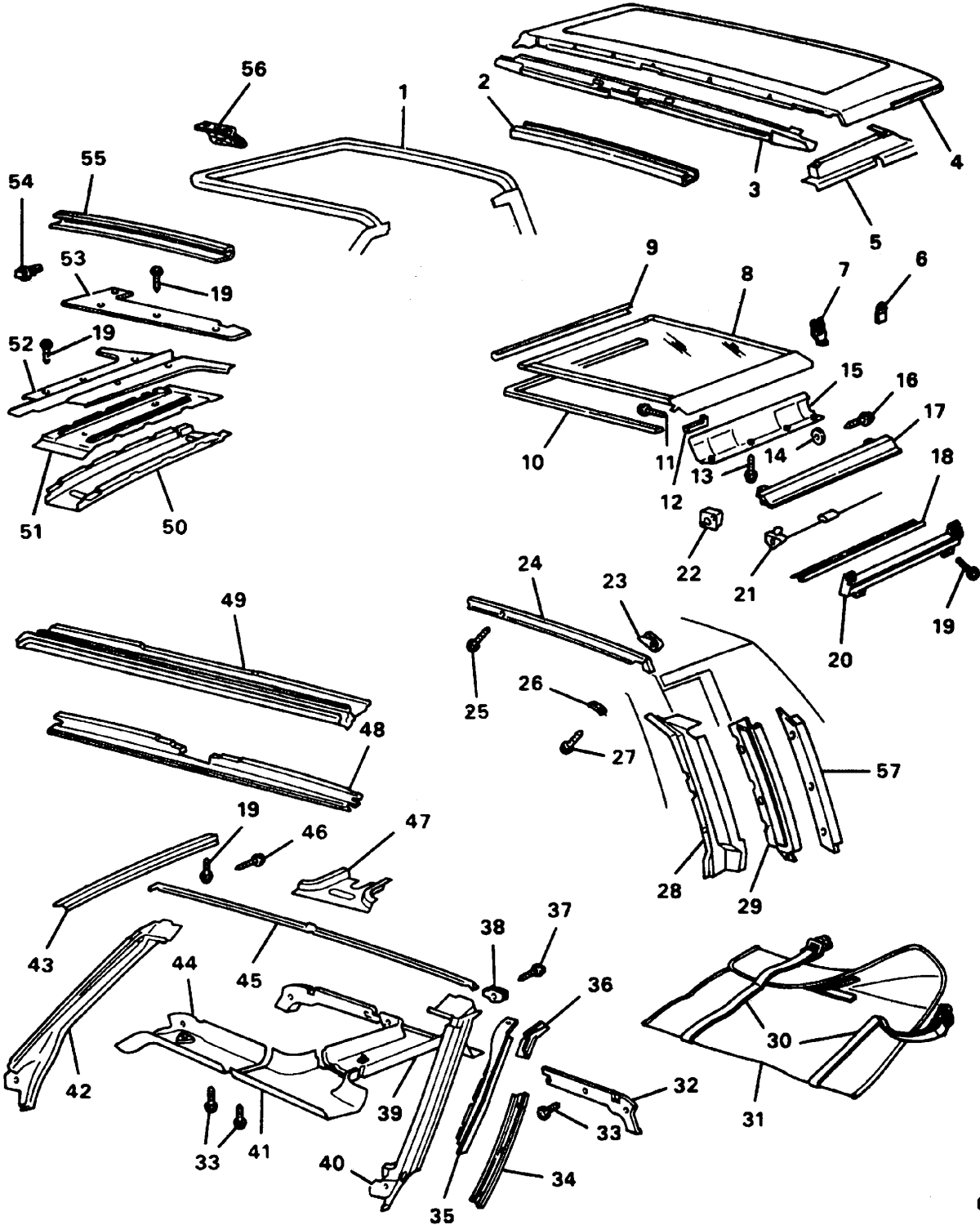


1982-1987 G ROOF HARDWARE/LIFT OFF PANELS (CC1)



1982-1987 G ROOF HARDWARE/LIFT OFF PANELS (CC1)

1.	12.810	WEATHERSTRIP , RF PNL LIFT OFF GLS-RH	20211820
	12.810	WEATHERSTRIP , RF PNL LIFT OFF GLS-LH	20211821
2.	12.810	RETAINER , WEATHERSTRIP RF PNL OPNG RR-RH	20066415
	12.810	RETAINER , WEATHERSTRIP RF PNL OPNG RR-LH	20066416
3.	12.952	BOW , #1	3069795
4.	12.810	PANEL ,	20607882
5.	12.956	RAIL , SI-RH	20173466
	12.956	RAIL , SI-LH	20173467
6.	12.810	PAWL , LOCK "T" TOP (1986-87)(B&S 321263).....	20477713
7.	12.810	RETAINER , LOCK CYLINDER GLS (1986-87)(12.977)	12337954
8.	12.810	GLASS , RH (1982-84)(BLACK)(*2)	20359056
	12.810	GLASS , RH (EXC BW3 1985-86)(DK GRAY)(*2, 4).....	20513036
	12.810	GLASS , RH (EXC BW3 1986-87)(INCL 14, 16-18)(*2, 4).....	20624934
	12.810	GLASS , LH (1982-84)(BLACK)(*2)	20359057
	12.810	GLASS , LH (EXC BW3 1985-86)(DK GRAY)(*2, 4)	20513037
	12.810	GLASS , LH (EXC BW3 1986-87)(INCL 14, 16-18)(*2, 4)	20624935
9.	12.810	CHANNEL , GLS FRT & RR (1982-86)	20164509
	12.810	CHANNEL , GLS CTR (1982-86)	20164510
10.	12.810	SEALING STRIP , RF LIFT OFF (2 REQ'D)(1280 MM LG)	20139617
11.	8.909	SCREW , OV HD C/R (M5 - .8 X 13) MA CHR	11501887
12.	12.810	HANDLE , RH (1982-85)	3069776
	12.810	HANDLE , RH (1986-87)	20626332
	12.810	HANDLE , LH (1982-85)	3069777
	12.810	HANDLE , LH (1986-87)	20626333
13.	8.977	SCREW , OV HD C/R WA (M4.2 - 1.4 X 20)	11505294
14.	12.809	PLATE , LET ADJ (PART OF 8)	3082360
15.	14.550	COVER , GLS SUPT-RH (1982-85)(*1).....	20529498
	14.550	COVER , RH (1986-87)(*1, 7)	20704030
	14.550	COVER , GLS SUPT-LH (1982-85)(*1)	20529497
	14.550	COVER , LH (1986-87)(*1,7).....	20704031
16.	12.810	SCREW , LAT ADJ PLATE TO END PLATE (1985-87)(PART OF 8).....	20313650
17.	12.810	SUPPORT , GLS PNL-RH (1986-87)(BLACK)(PART OF 8).....	20624940
	12.810	SUPPORT , GLS PNL-LH (1986-87)(BLACK)(PART OF 8).....	20624941
18.	12.075	MOLDING , DRIP-RH (EXC W11) SNAP ON (PART OF 8)(*3)	20164422
	12.075	MOLDING , DRIP-RH (W/W11 1984) (W/BW3 1895-87)(BLACK) (PART OF 8)(*3) ..	20518780
	12.075	MOLDING , DRIP-LH (EXC W11) SNAP ON (PART OF 8)(*3).....	20164423
	12.075	MOLDING , DRIP-LH (W/W11 1984) (W/BW3 1895-87)(BLACK) (PART OF 8)(*3) ..	20518781
19.	8.977	SCREW , RD THIN WA HD C/R (M4.2 - 1.4 X 13).....	20365262
20.	12.810	WEATHERSTRIP , SI RF RL LIFT OFF GLS-RH	20217186
	12.810	WEATHERSTRIP , SI RF RL LIFT OFF GLS-LH	20217187
21.	12.810	LATCH , GLS-RH (1982-85)	20358332
	12.810	LATCH , GLS-RH (1986-87)	20624946
	12.810	LATCH , GLS-LH (1982-85).....	20358333
	12.810	LATCH , GLS-LH (1986-87).....	20624947
22.	12.810	COVER , LATCH LOCK CYL-RH (1986-87).....	20480962
	12.810	COVER , LATCH LOCK CYL-LH (1986-87)	20480963
23.	14.090	GUIDE , ROD LAT RR-RH	20356368
	14.090	GUIDE , ROD LAT RR-LH	20356369
24.	12.075	MOLDING , REVEAL RF PNL OPNG RR (EXC BX5, VNL)	20318001
	12.075	MOLDING , REVEAL RF PNL OPNG RR (W/BX5, EXC VNL).....	20736848
25.	8.977	SCREW , RD THIN WA HD C/R (M4.2 - 1.4 X 20).....	20378000
26.	12.810	SUPPORT , MLDNG PNL OPG	20086869
27.	14.090	SCREW , LAT ROD RR GDE (1985)	20083329
28.	12.942	PANEL , BODY LOCK PLR INR UPR-RH.....	20698616
	12.942	PANEL , BODY LOCK PLR INR UPR-LH	20698617
29.	12.942	MOLDING , BODY LOCK PILLER DRIP-RH (W/VNL).....	20623656
	12.942	MOLDING , BODY LOCK PILLER DRIP-LH (W/VNL)	20623657
	12.942	MOLDING , BODY LOCK PILLER DRIP-RH (EXC BX5, VNL).....	20623658
	12.942	MOLDING , BODY LOCK PILLER DRIP-LH (EXC BX5, VNL)	20623659
	12.942	MOLDING , BODY LOCK PILLER DRIP-RH (W/BX5, EXC VNL)	20623662
	12.942	MOLDING , BODY LOCK PILLER DRIP-LH (W/BX5, EXC VNL).....	20623663
30.	12.810	STRAP , STOW BAG (1983-84)	20192403
31.	12.810	BAG , STOW (1982-85).....	20717012
	12.810	BAG , STOW (1986-87).....	20494169
32.	14.651	MOLDING , GARN PNL OPG RR-RH(*1).....	20530048
	14.651	MOLDING , GARN PNL OPG RR-LH(*1).....	20530049
33.	8.977	SCREW , OV TR HD C/R TAP (M4.2 - 1.4 X 40)	11500668
34.	12.075	MOLDING , SCALP WINDSHIELD PILLER DRIP-RH (EXC BX5)	20444640
	12.075	MOLDING , SCALP WINDSHIELD PILLER DRIP-LH (EXC BX5).....	20444641
	12.075	MOLDING , SCALP WINDSHIELD PILLER DRIP-RH (W/BX5).....	20736824
	12.075	MOLDING , SCALP WINDSHIELD PILLER DRIP-LH (W/BX5)	20736825

1982-1987 G ROOF HARDWARE/LIFT OFF PANELS (CC1)

35.	10.093	RETAINER , W/STR W/S PNL-RH (INCL 56)	20737666
	10.093	RETAINER , W/STR W/S PNL-LH (INCL 56)	20737667
36.	12.075	MOLDING , SCALP WINDSHIELD PILLER EXTENSION-RH (EXC BX5)	20064938
	12.075	MOLDING , SCALP WINDSHIELD PILLER EXTENSION-LH (EXC BX5)	20064939
	12.075	MOLDING , SCALP WINDSHIELD PILLER EXTENSION-RH (W/BX5)	20736828
	12.075	MOLDING , SCALP WINDSHIELD PILLER EXTENSION-LH (W/BX5)	20736829
37.	8.909	SCREW , OV HD C/R (M6 – 1 x40)	11504791
38.	14.090	GUIDE , LAT ROD FRT-RH	3082486
	14.090	GUIDE , LAT ROD FRT-LH	3082487
39.	14.651	MOLDING , OPG CTR (*1)	20530350
40.	12.807	FRAME , W/S SI-LH	20373405
41.	14.651	ESCUTCHEON , PNL OPG FRT (*1)	20535136
42.	12.807	FRAME , W/S SI-RH	20414887
43.	12.810	RETAINER , WEATHERSTRIP LIFT OFF RF - 2 REQD	20113760
44.	10.051	MOLDING , W/S UPR-RH (*1)	20598938
	10.051	MOLDING , W/S UPR-LH (*1)	20598939
45.	10.093	MOLDING , FINISH WINDSHIELD UPR FRAME FRT-RH (EXC BX5)	20066038
	10.093	MOLDING , FINISH WINDSHIELD UPR FRAME FRT-LH (EXC BX5)	20066039
	10.093	MOLDING , FINISH WINDSHIELD UPR FRAME FRT-RH (W/BX5)	20736846
	10.093	MOLDING , FINISH WINDSHIELD UPR FRAME FRT-LH (W/BX5)	20736847
46.	8.977	SCREW , RD HD WA W/SEAL (M4.2 – 1.4 X 8)	11505774
47.	12.952	REINFORCEMENT , LGTDNL BOW	20079249
48.	12.807	REINFORCEMENT , W/S FRM UPR	20064926
49.	12.807	FRAME , W/S UPR (INCL 55)	20087922
50.	12.952	BOW , LGTDNL LWR	3078859
51.	12.952	BOW , LGTDNL UPR	3069791
52.	12.810	MOLDING , FINISH LIFT PNL OPNG CTR UPR (1982-85)	20113281
	12.810	MOLDING , FINISH LIFT PNL OPNG CTR UPR (1986-87)	20674345
53.	10.093	MOLDING , FINISH WINDSHIELD UPR FRAME RR-RH	20066040
	10.093	MOLDING , FINISH WINDSHIELD UPR FRAME RR-LH	20066041
54.	14.651	CLIP , MOLDING OPG CTR LGTN (1982,1987)(14.645)	10093200
55.	12.810	RETAINER , WEATHERSTRIP LIFT OFF RF FRT-RH	20084307
	12.810	RETAINER , WEATHERSTRIP LIFT OFF RF FRT-LH	20084308
56.	10.721	CLIP , W/STR SI RL RET (PART OF 35)	20153291
57.	10.721	RETAINER , WEATHERSTRIP BODY LOCK PILLER-RH (W/BX5)	20106330
	10.721	RETAINER , WEATHERSTRIP BODY LOCK PILLER-LH (W/BX5)	20106331
	10.721	RETAINER , WEATHERSTRIP BODY LOCK PILLER-RH (EXC BX5)	20106332
	10.721	RETAINER , WEATHERSTRIP BODY LOCK PILLER-LH (EXC BX5)	20106333

NOTE 1: PAINT TO MATCH

NOTE 2: SEE PARTS CATALOG FOR ADDITIONAL USAGE

NOTE 3: SCALP MOLDING WITH PLASTIC SUPPORT

NOTE 4: TYPE 1: FOR 1986 HAS GLASS CHANNELS

NOTE 5: TYPE 2: FOR 1986 DOES NOT HAVE GLASS CHANNELS

NOTE 6: WITH DURNAR FLUROCARBON COATING

NOTE 7: DOES NOT HAVE ACOUSTICAL PADS